

Sealing System



Read and understand equipment operators manual before operating or performing maintenance. Failure to do so could result in serious injury or death.

⚠ WARNING

Heed to the following warnings. Failure to do so could result in death or serious injury.

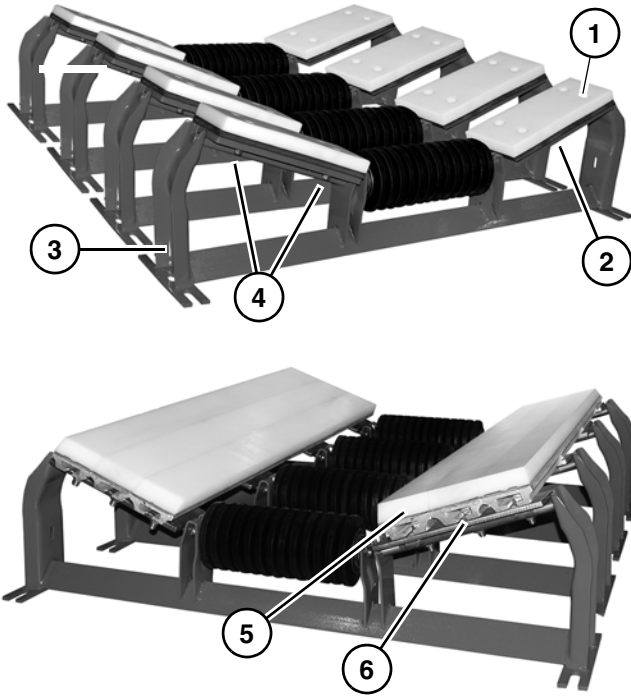
- Lockout/Tagout/Blockout before performing maintenance or installation.

NOTICE

- There must be an idler of matching degree positioned directly before and after where sealing system is installed.

Overview

Figure 1

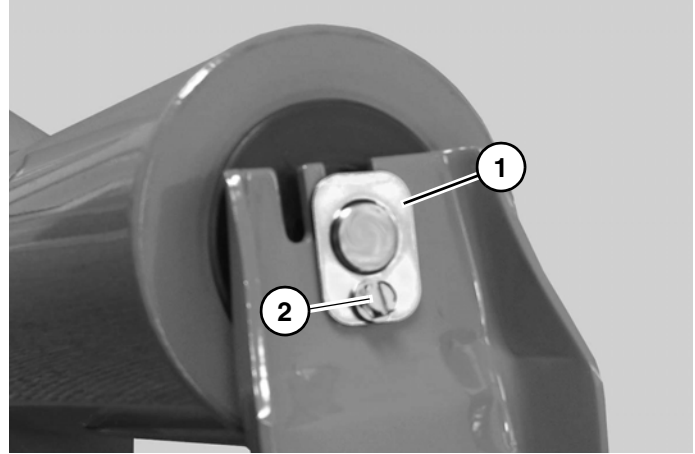


1. UHMW Cartridge
2. Cartridge Pad
3. Idler Frame
4. Cartridge Bolts and Nuts
5. UHMW Bars
6. Sealing Plates

Cartridge Seal Installation

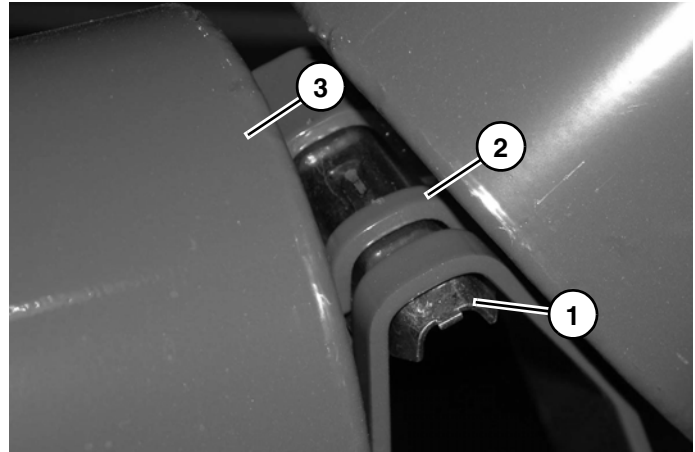
Determine area where sealing system will be installed.

Figure 2



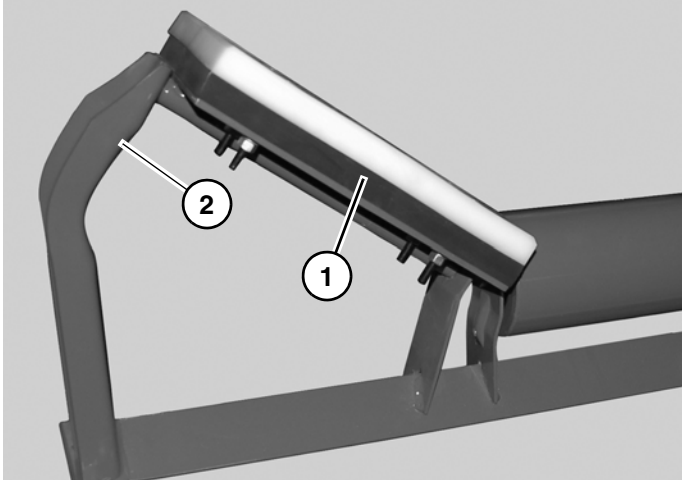
1. Remove idler bracket (1) by loosening fastener (2). (Figure 2)

Figure 3



2. Remove idler clip (1) from idler frame (2). (Figure 3)
3. Remove idler roller (3) (Figure 3) from idler frame.

Figure 4

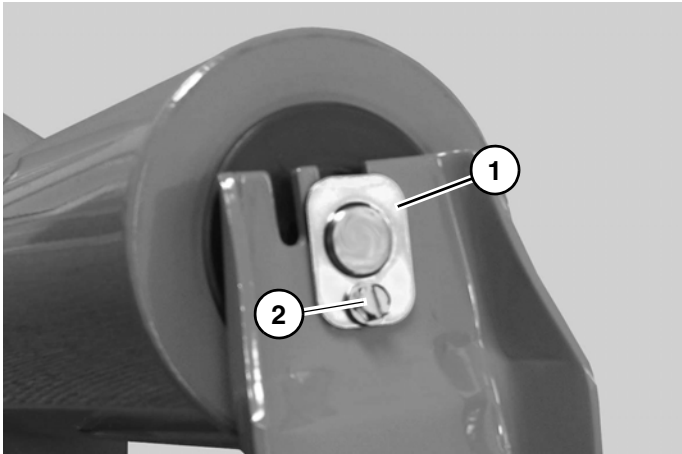


4. Insert cartridge pad (1) into idler frame (2) and reinstall fastener and idler clip. (Figure 4)
5. Repeat steps 2 - 4 for opposite side of idler frame.
6. Adjust skirtboard accordingly to seal area.

UHMW Bar Installation

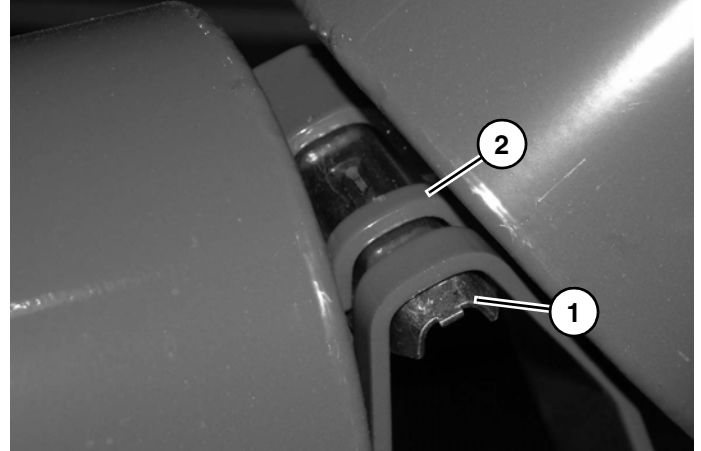
Determine area where sealing system will be installed.

Figure 5



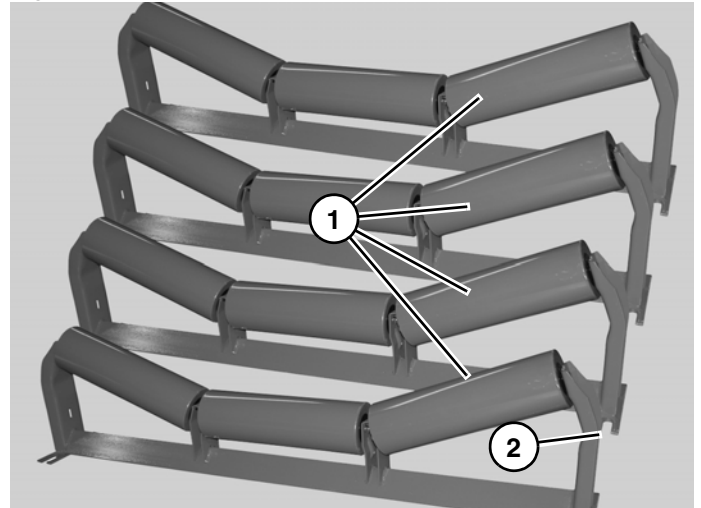
1. Remove idler bracket (1) by loosening fastener (2). (Figure 5)

Figure 6



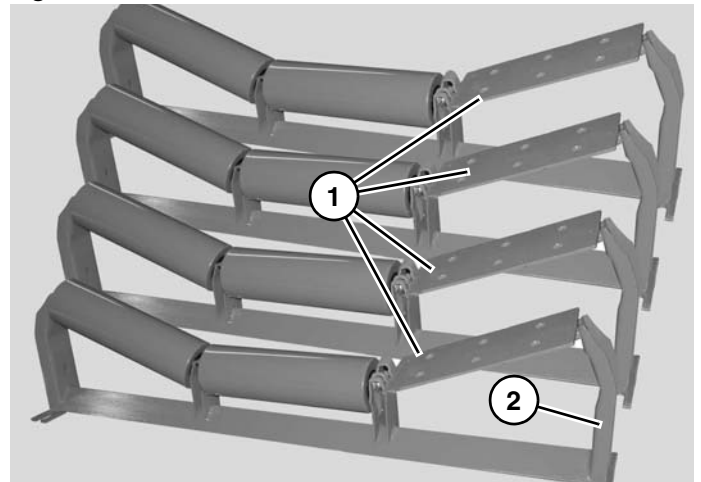
2. Remove removing idler clips (1) from idler frame (2) of all rolls to be removed. (Figure 6)

Figure 7



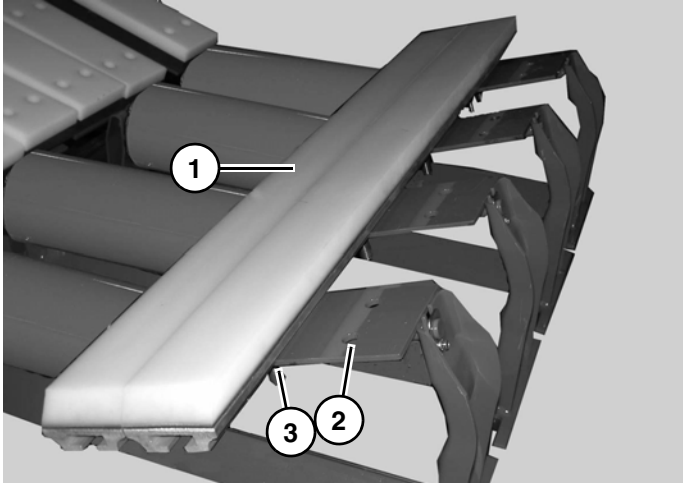
3. Remove idler rolls (1) from idler frames (2). (Figure 7)

Figure 8



4. Insert sealing plates (1) into idler frame (2). (Figure 8)
5. Reinstall fasteners and idler clips.

Figure 9

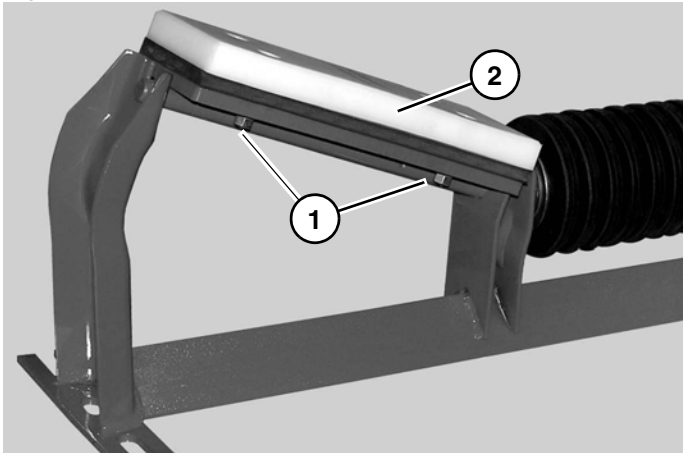


6. Secure UHMW bars (1) to sealing plates (2) with supplied bolts (3). (Figure 9)
7. Repeat steps 1-6 for opposite side of idler frames.
8. Adjust skirtboard to seal area.

Note: Depending on diameter of idler roll, there may be a spacer included with system to go between sealing plates and UHMW.

UHMW Cartridge Replacement

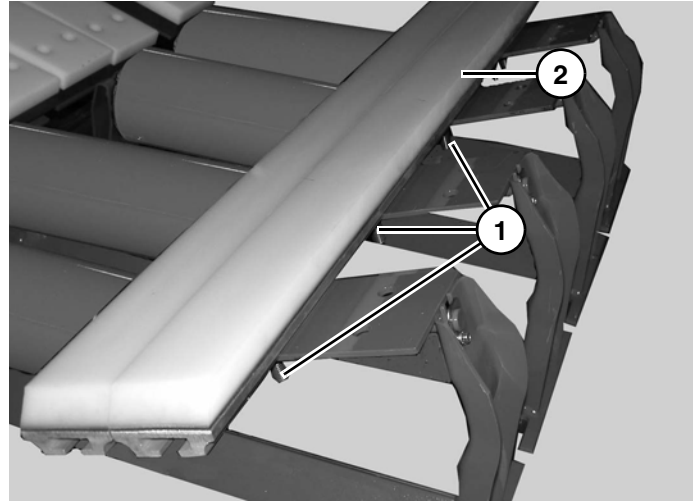
Figure 10



1. Remove bolts and nuts (1) (Figure 10) from idler frame.
2. Remove worn sealing system cartridge (2) (Figure 10).
3. Insert new cartridge and secure with bolts and nuts.

UHMW Cartridge Replacement

Figure 11



1. Remove bolts and nuts (1) (Figure 11) from idler frame.
2. Remove worn sealing system bar (2) (Figure 11).
3. Insert new bar and secure with bolts and nuts.

Maintenance

Every 100 Hours

- Check sealing system cartridges or bars.

Replace

- Sealing system cartridges or bar when 75% worn.