

# Heavy Duty Take-up



Read and understand equipment operators manual before operating or performing maintenance. Failure to do so could result in serious injury or death.

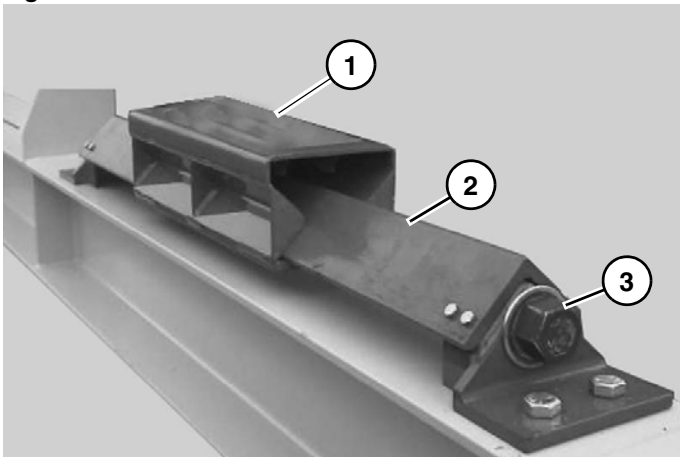
## ⚠ WARNING

Heed to the following warnings. Failure to do so could result in death or serious injury.

- Lockout/Tagout/Blockout before performing maintenance or installation.
- Take-ups must be mounted level to frame of conveyor and equally to each other.

## Overview

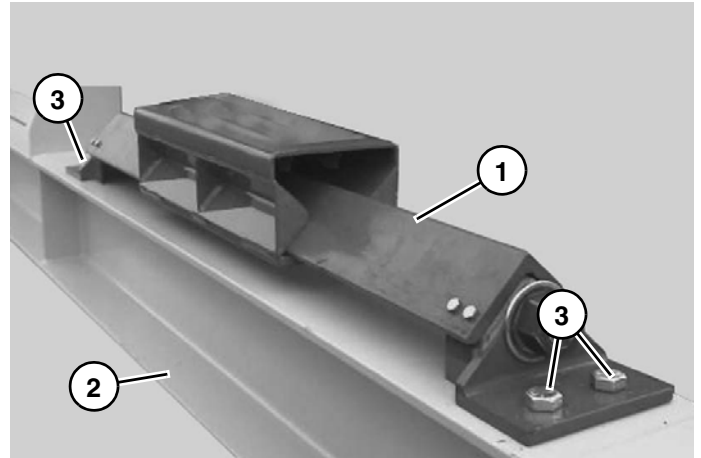
Figure 1



1. Bearing Plate
2. Take-up Frame
3. Take-up Adjustment Bolt

## Installation

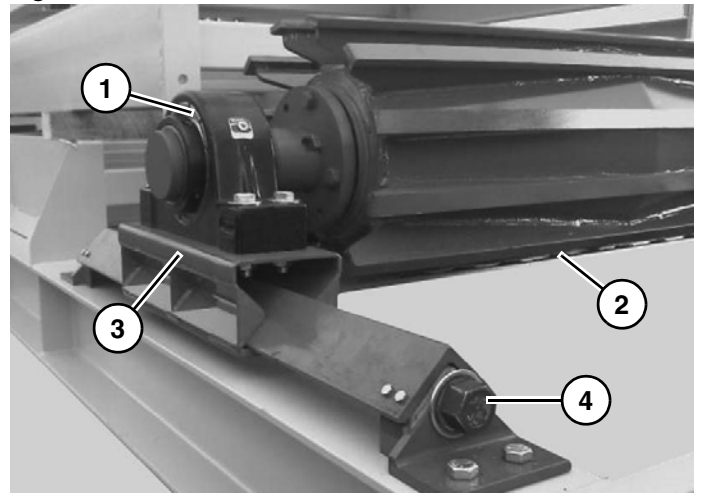
Figure 2



1. Determine correct position for take-up frame (1) on conveyor (2). (Figure 2)
2. If take-up is a bolt-on style, drill holes and mount take-up frame to conveyor with supplied bolts (3) (Figure 2). Otherwise weld take-up to frame of conveyor.
3. Repeat steps 1 and 2 for take-up on opposite side.

Note: Take-ups must be mounted level to frame of conveyor and equal to each other.

Figure 3



4. Mount bearing (1) and pulley (2) onto bearing plate (3). (Figure 3)
5. Using adjustment bolt (4) (Figure 3) equally adjust take-ups to tighten belt.

Superior Industries does not recommend training belt by unequal adjustment of take-ups. Take-ups should only be used for tensioning belt and keeping tail pulley square with conveyor frame.

**Bearing Size Range**

Take-up Frame Size						Bearing Sizes (by bearing type)			
Superior Industries	Dodge	PPI	CCI	Link Belt	Browning	Dodge Type E, Rex, ZEP, Link Belt EPB22400,SKF SYE	Dodge S-2000, Rex ZA Link Belt PB22400,SKF SYR	Dodge TAF Rex ZAF SealMaster USRB	Dodge USAF/SAF-XT/SAFS/ISAF, SKF22500 Link Belt PLB6800
TUHD-200	HD-200	PHD200	CHD200	LHD20	T2000 A/B/C	1-7/16"-2-1/2"	1-7/16"-2-1/2"	1-7/16"-2-1/2"	1-7/16"-2-3/16"
TUHD-250	HD-250	PHD208	CHD250	LHD25	T2000 D/E	2-11/16"-3"	2-11/16"-3"	2-11/16"-3"	2-7/16"-3"
TUHD-300	HD-300	PHD300	CHD300	LHD30	T2000 F/G		3-3/16"-3-1/2"		3-3/16"
TUHD-350	HD-350	PHD308	CHD350	LHD35	T2000 H/J	3-3/16"-3-1/2"	3-15/16"-4-1/2"	3-3/16"-4"	3-7/16"-3-1/2"
TUHD-400	HD-400	PHD400	CHD400	LHD40	T2000 K	3-15/16"-5"	4-15/16"-5"	4-7/16"-5"	3-15/16"4-1/2"
TUHD-500	HD-500	PHD500	CHD500	LHD50	T2000 M/N	5-7/16"-6"		5-7/16"	4-15/16"-5-1/2"
TUHD-600		PHD600				6-7/16"-7"		5-15/16"-6"	5-7/16"-6"
TUHD-800		PHD800						6-7/16"-7"	6-7/16"-9"