

Rod Style Guard Installation



Read and understand equipment operators manual before operating or performing maintenance. Failure to do so could result in serious injury or death.

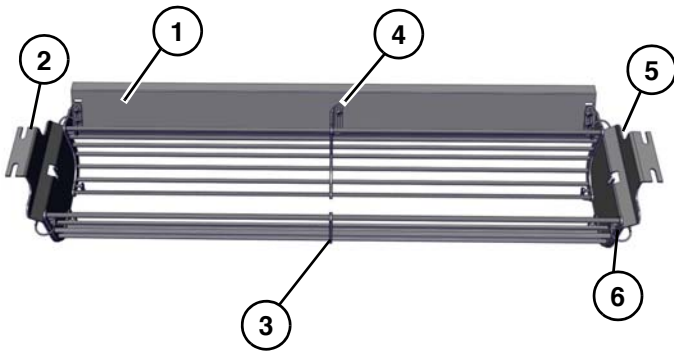
⚠ WARNING

Heed to the following warnings. Failure to do so could result in death or serious injury.

- Lockout/Tagout/Blockout before performing maintenance or installation.
- Return roll guards must always cover return rolls 8' (2.4m) in height and lower.
- Do not operate equipment without guards in place.

Overview

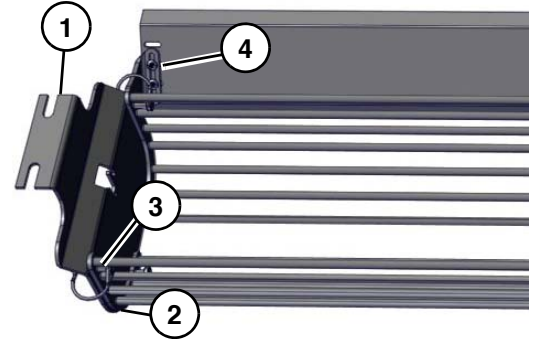
Figure 1



1. Return Roll Guard
2. Return Roll Bracket
3. Guard Weldment
4. Return Roll Guard Tab Weldment
5. Moving Parts Decal
6. Guard Pin

Rod Style Guard Installation

Figure 2



1. Bolt return roll brackets (1) (Figure 2) to conveyor frame using appropriate hardware.

Note: Do not fully tighten brackets at this point.

2. Place return roller into each bracket.
3. Attach guard weldment (2) to return brackets utilizing 4 guard pins (3) (Figure 2).

Note: Mount guard weldment on side closest to tail pulley.

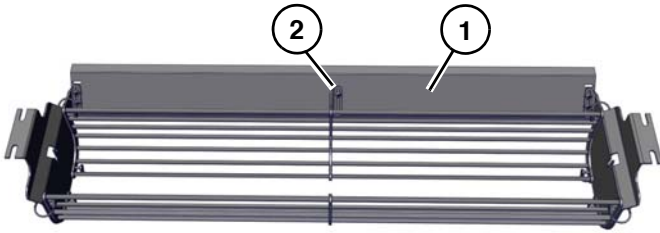
4. Attach return roll guard tab weldment (4) to return brackets (2) utilizing 4 guard pins (6) (Figure 2).

Note: Mount return roll guard tab weldment on side closest to head pulley.

5. Fully tighten brackets.

Return Roll Guard Installation

Figure 3



1. Attach return roll guard (1) to return roll guard tab weldments (2) utilizing 2 carriage bolts and nuts on both ends as well as 1 carriage bolt and nut on center bracket when provided. (Figure 3)

Note: Do not tighten screws completely.

Note: Step may be performed with return roll guard tab weldment not installed in return roll bracket.

Note: When center bracket is provided return roll guard can only be installed in an orientation that aligns center hole with corresponding bracket.

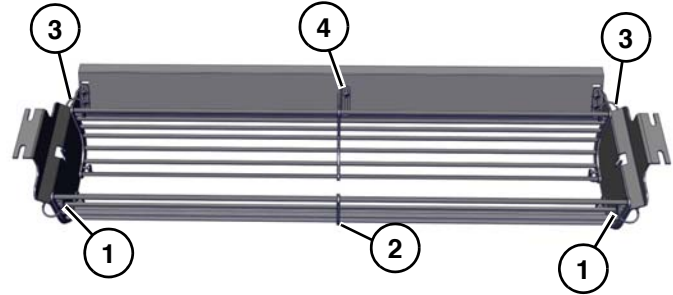
2. Adjust guard to allow 1/2" to 5/8" (12.7mm to 15.8mm) clearance between both return roll and belt.

Note: Adjust guard clearances to local authority specification.

3. Tighten carriage bolts and nuts on both sides.

Cleaning/Roller Access

Figure 4



- Remove two opposing guard pins (1) and rotate guard weldment (2) up or down as needed.
- Remove top two opposing guard pins (3) and rotate return roll guard tab weldment (4) down as needed.

Maintenance

Every 100 Hours

- Check for proper clearance between return roll guard and belt.
- Check safety decal, replace if worn or illegible.